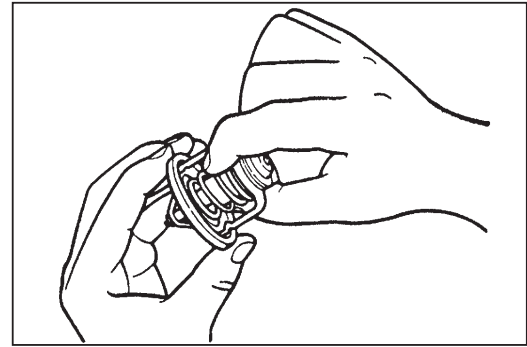


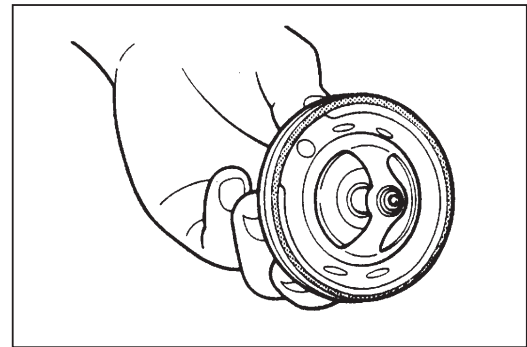
## INSPECTION

1. Ensure that the thermostat valve is closed at room temperature of 20°C and the spring has no play. Replace the thermostat if the valve is open or the spring has a play.



YCO00034-00026

2. Check the rubber grommet of the thermostat for damage or crack. Replace the thermostat if the rubber grommet exhibits damage or crack.



YCO00035-00027

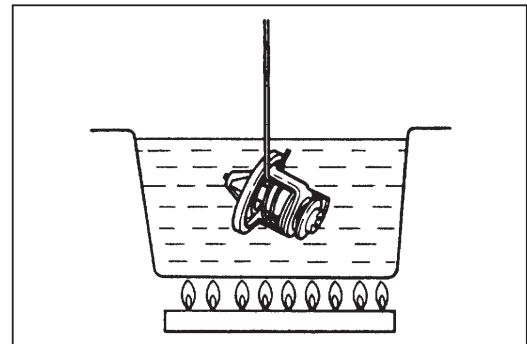
3. Check of thermostat valve opening temperature
  - (1) Immerse the thermostat in water, as indicated in the right figure. Heat the water gradually. Ensure that the temperature at which the valve begins to open conforms to the specified value.

**Specified Valve Opening Temperature:**

**M101, M201 & J102 Series:**  $80 \pm 2^\circ\text{C}$

**S221 Series:**  $88 \pm 1.5^\circ\text{C}$

If the temperature fails to conform to the specification, replace the thermostat with a new one.



YCO00036-00028

- (2) **M101, M201 & J102 Series**

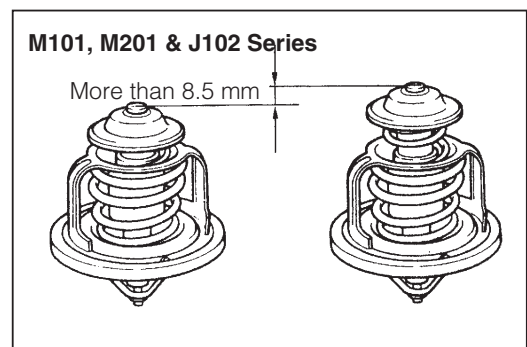
Under the condition described in the step (1), heat the water to 93°C. At this time, ensure that the valve lift is the specified value or more.

**Specified Value: More than 8.5 mm**

**S221 Series**

Under the condition described in the step (1), heat the water to 100°C. At this time, ensure that the valve lift is the specified value or more.

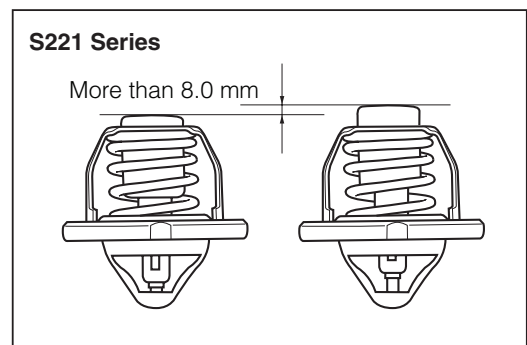
**Specified Value: More than 8.0 mm**



YCO00037-00029

## CAUTION:

- Be very careful not to get scalded, for the heated thermostat will be very hot.



YCO00000-00030